

Starting/running torque 55 mN.m 3.6 Watts Part number 825300



- Constant speed, dependent on supply frequency
- Direction of rotation controlled by dephasing capacitor
- Sintered bearing lubricated for life
- Silent operation
- UL, CSA (class B)

Part numbers

	Type	Type	Voltage / Frequency
825300	3.6 Watts	82 530 0	230-240 V 50 Hz

Specifications

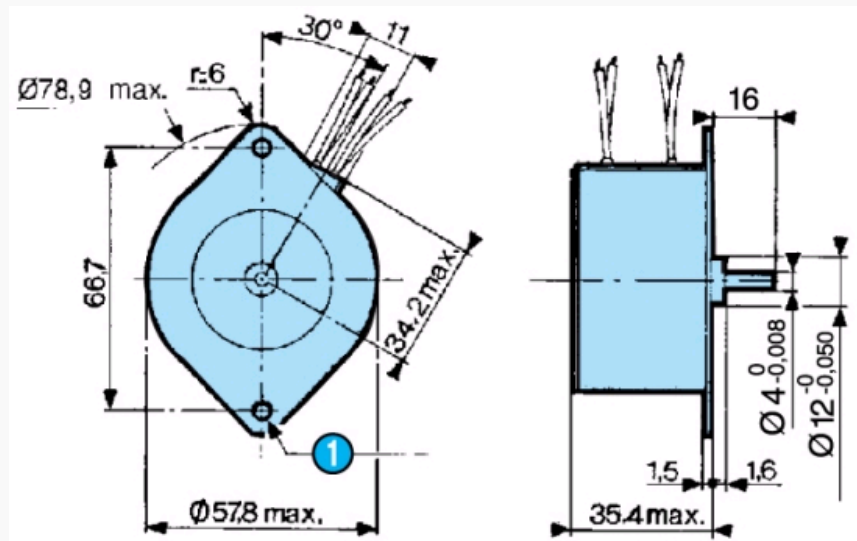
Base speed of motor (rpm)	250
Absorbed power (W)	3,6
Usable Power (W)	1,37
Starting/running torque (mNm)	55
Stall torque (mNm)	58
Temperature rise (° C)	45
Ambient temperature (°C)	-10 → +85
Maximum inertial load that can be moved (g.cm ²)	130
Number of offload starts	
Insulation resistance (MΩ)	75x10 ³
Breakdown voltage (V-50 Hz)	1800 -1 sec.
Weight (g)	340
Wires length mm (approximately)	250
Protection rating	IP40

Accessories

Voltages/Frequencies	μF	V AC	Code
Capacitors motor 82 530 0	Condensateur		
230-240 V - 50 Hz	0,1 ± 10 %	500	26 231 941
115 V 50/60 Hz	0,39 ± 5 %	480	26 231 924
24 V - 50 Hz	10 ± 5 %	63	26 231 720
24 V - 60 Hz	6,8 ± 10 %	63	26 231 708

Dimensions (mm)

82 530 0

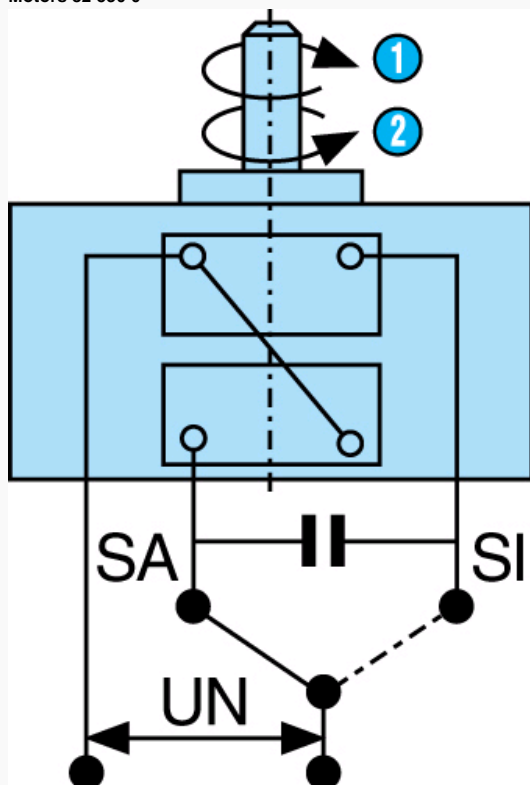


N°	Legend
①	2 fixing holes Ø 4.4

Connections

In parallel

Motors 82 530 0



N°	Legend
①	SA : Clockwise
②	SI : Anti-clockwise

Product adaptations



- Different voltages available
- Pinion or bush on output shaft
- Special output shafts
- Special supply voltages
- Special cable lengths
- Special output bearings
- Special mounting plate
- Special connectors